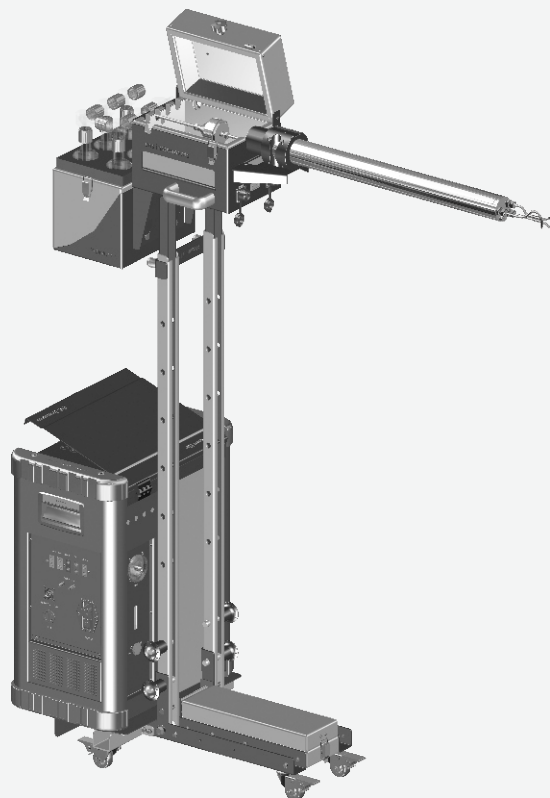




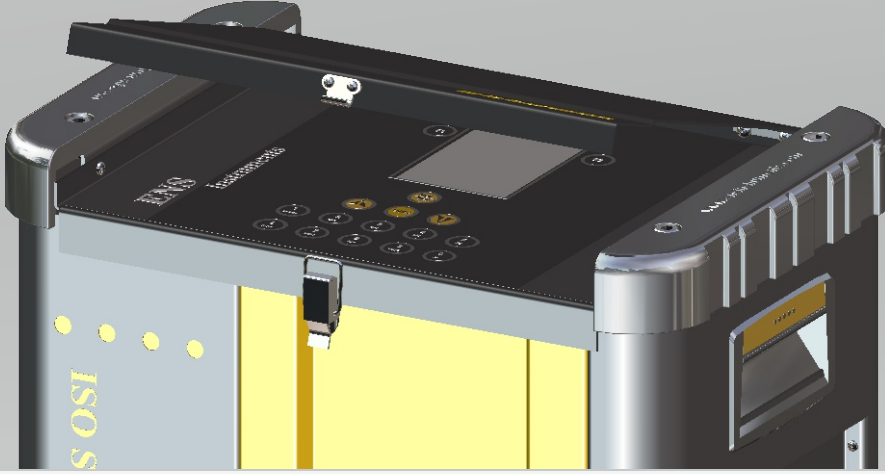
We work *hard & smart* so you can have a *smart* life

ISO Smart ^{Plus} Isokinetic dust & gas Sampler



ISO Smart *Plus*

Dust & Gas Sampliar



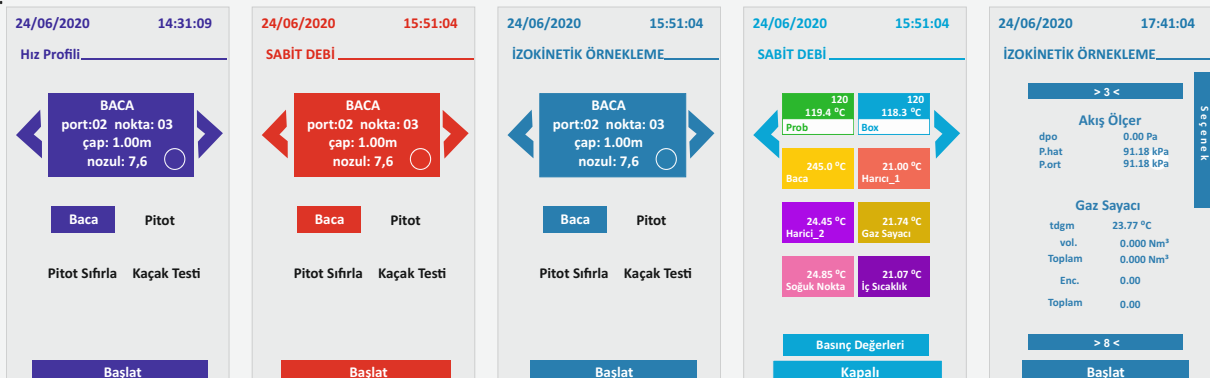
ISO Smart *Plus*

ISO Smart *Plus* fully automatic sampling device is designed for dust and gas sampling. It performs the sampling in accordance with international standards. It measures and calculated the required parameters according to rules sets in the standards.

It is an automatic sampler for sampling of particulate matter, gases, metals and dioxines

Samplind Methods Accordance With:

- **UNI EN 13284** : Stationary source emissions - Determination of low range mass concentration of dust
- **US EPA M2** : Determination of stack gas velocity and volumetric flow rate (Type S Pitot Tube)
- **EN UNI 16911** : Determination of stack gas velocity and volumetric flow rate (Type S Pitot Tube)
- **US EPA M4** : Determination of moisture contants in stack gases
- **US EPA 5** : Determination of particulate mater emissions from stationary sources (Out of stack)
- **US EPA 17** : Determination of particulate mater emissions from stationary sources (In stack)
- **EN 1948** : Stationary source emissions - Determination of mass concentration of PCDDs/PCDFs and dioxin-like PCBs
- **EN 14385** : Stationary source emissions - Determination of the total emission of As, Cd, Cr, Co, Cu, Mn, Ni, Pb,Sb, Tl and V
- **EN 13211** : Stationary source emissions - Determination of the concentration of total merccury



Main Characteristics:

- Fast isokinetic control at any condition
- Volume measurement with dry gas meter
- Stack temperature and velocity measurement
- Autotest
- USB interface to download stored data
- Visualization of stored data on display of the instrument
- Bluetooth interface to print data
- Wide color graphic display
- Wide library to store the duct specification
- Available with ISO 17025 accredited laboratory certificate

Parameters Stored on Instrument Report:

- Serial number of instrument
- Sampling date and hour
- Gas velocity
- Duct, heated probe and heated box temperature
- Condensation bath Temperature
- Condensation bath's gas outlet temperature
- Duct absolute pressure
- Sampling and atmospheric pressure
- Duct and nozzle flow
- Sampled volume, duration
- Isokinetic deviation
- Faults
- and more

Stored Report:

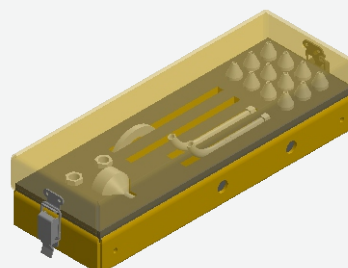
Measurement report is a sample summary report of measurement log parameter record with timer programmable integration.

Report format is compatible with Windows, Google Chrome Microsoft Office.

You can load the report to your mobile phone from the instrument and send it by e-mail to related person.

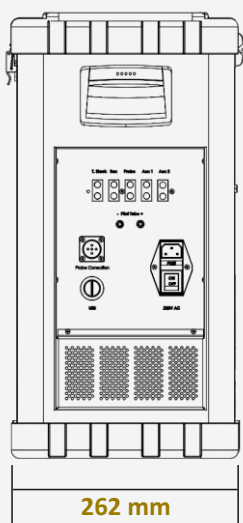
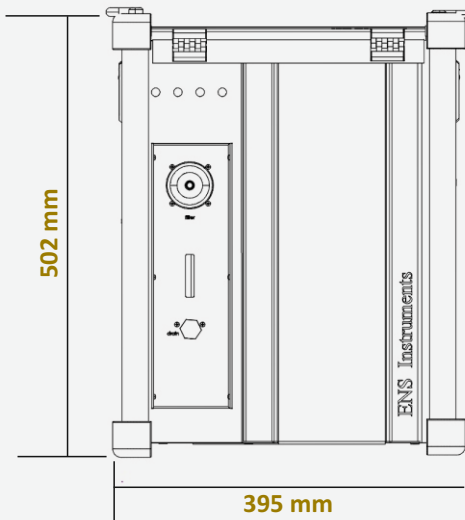
Quality Control:

Quality control for automatic isokinetic sampling provide by calibration traceability of each sensor and measured parameters. ISO Smart Plus stores each calibration performed by the user or by the manufacture. The calibration report downloadable via USB. Points of the calibration for each sensor are programmable by the user. Temperature calibration curve following ITS 90 standards.



Technical Specifications:

- **Material** : Duple painted aluminum
- **Gas meter** : Class G4, 0.4 m³/h ÷ 6.0 m³/h
- **Gas inlet** : Protected by filter and liquid sensor
- **Display** : 5.0 " color LCD display
- **Data port** : USB 2.0, (*)
- **Printer port** : Bluetooth
- **Data Transfer** : To PC by USB 2.0, Bluetooth to Printer
- **Water sensor** : built in (*)
- **Dimension** : 395 x 262 x 502 mm
- **Weight** : 15 kg (with 4.5 m³/h pump)



(*) Optional

Measurement Parameters:

- **Differential pressure :**
 - Range : -100 ÷ 1000 Pa
 - Accuracy : Better than 1% of measure ± 2 Pa
 - Resolution : 0.1 Pa (0.01 mmH₂O)
- **Absolute pressure (Static or Barometric) :**
 - Range : 0 ÷ 105 kPa (1050 mBar)
 - Accuracy : Better than 1% of measure ± 0.01 kPa
 - Resolution : 0.01 kPa (0.1 mBar)
- **Temperature :**
 - N° of inlet : Depending on the request up to 5
 - Range : 0 ÷ 1200 °C
 - Accuracy : % 1 off measure ± 0.2 °C
 - Resolution : 0.1 °C
- **Dry gas meter temperature Pt¹⁰⁰ sensor**
 - Range : -20 ÷ 80 °C
 - Accuracy : 1% off measure ± 0.2 °C
 - Resolution : 0.1 °C
- **Volume measurement by Dry gas metre:**
 - Accuracy : 2%
 - Resolution : 0.1 liter
- **Flow measurement:**
 - Res. time : 300 ms
 - Mass meter : 5 ÷ 60 l/min
 - Accuracy : Better than 2%
 - Resolution : 0.01 liter

