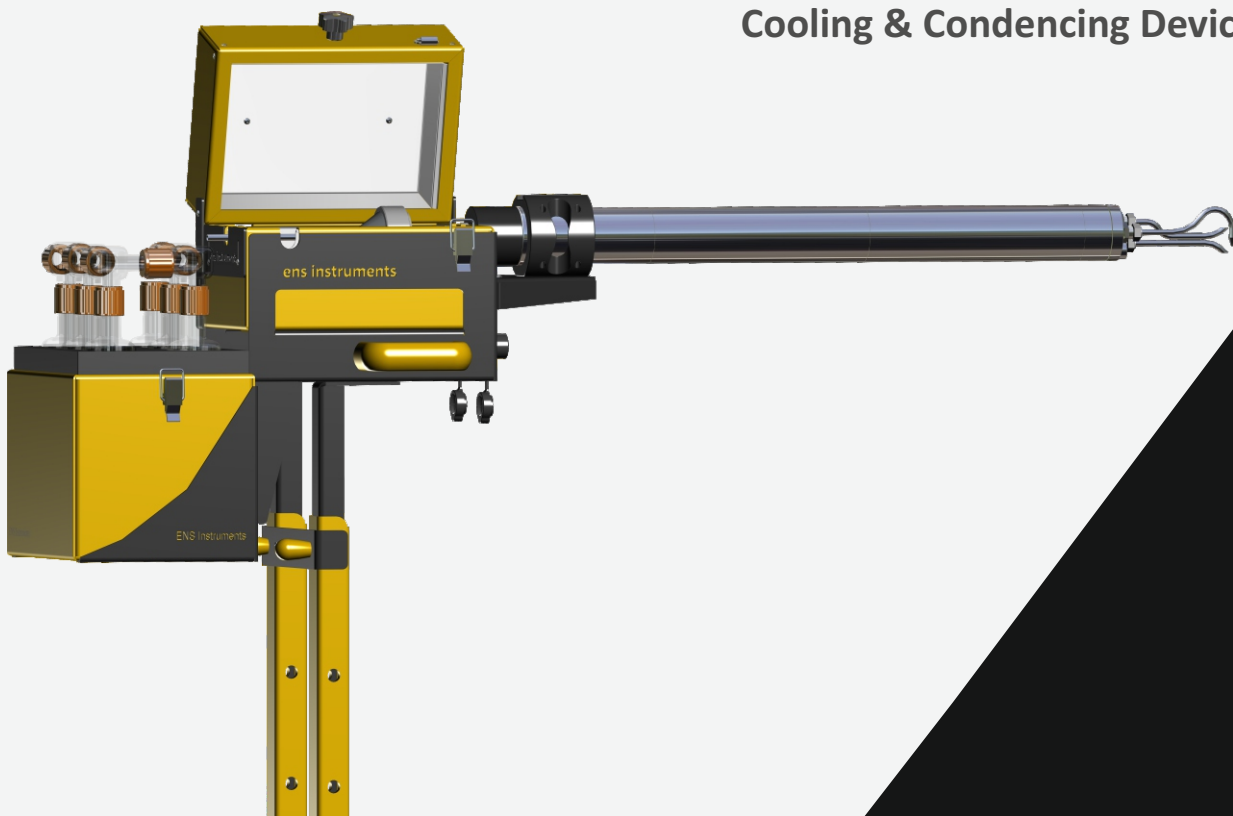




We work *hard & smart* so you can have a *smart* life

Cooling & Condensing Device

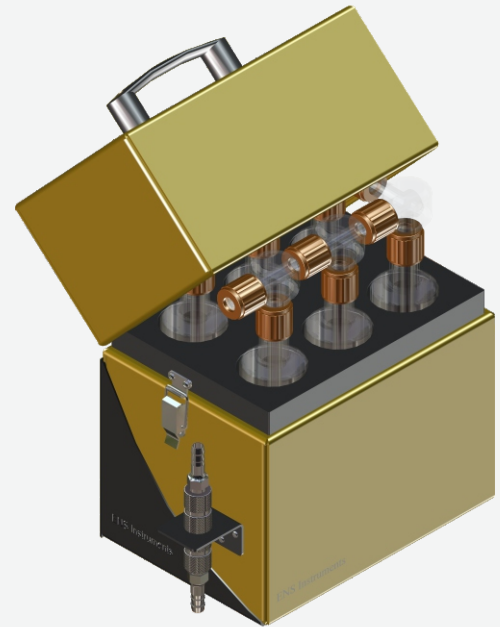


Cooling & Condensing Device

The cooler box is the cooling part of the **HSP2** sampling probe for water condensation of stack gas water contents. It is also used for determination of micropollutants with impingers train.

You can attach the box directly to back of the heated filter box without using any tools. The short connection between the filter holder and impingers train reduces the water condensation along the tubes. You can place up to 6 impingers in the box with the different combination to fulfill different standards.

The body of box is made of painted aluminum and isolated to keep the internal box temperature cool for long time. The box equipped with a practical quick connector for the suction tube. The mounting bracket on the side of the box supports the heavy tubes protecting the impingers from damages. The support foams also keep the impingers safe in transportation and during the sampling.



Technical Features:

Cooling Method	: Passive - Ice
Cooling Temp.	: 1.0 ± 0.2 °C
No. Impinger	: 6 Pieces
Quick Connector For	: Ekternal suction Line

- Structure Material :

Body Material	: Double Painted Aluminum
Locking Apparatus	: Stainless Steel
isolation	: Ceramic Fiber

- Size and Weight:

Size	: 330 x 300 x 200 mm
Weight	: 3.0 Kg (Without Impinger)

